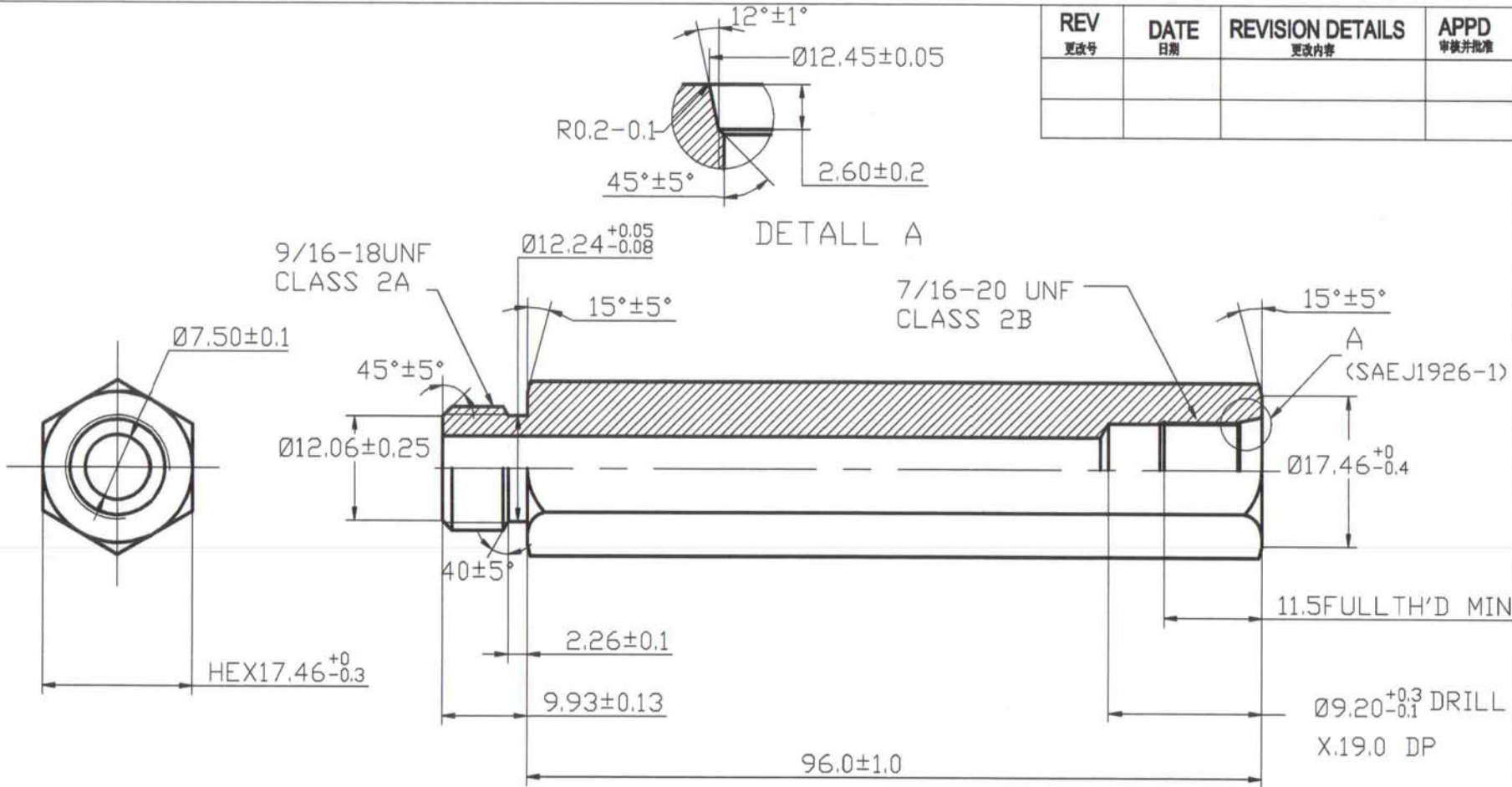


REV 更改号	DATE 日期	REVISION DETAILS 更改内容	APPD 审核并批准



UNLESS SPECIFIED
ALL DIMENSIONS IN mm,
MACHINED SURFACES Ra=3.2um,
ANGLE TOLERANCES ±1°,
Other tolerance except angles,
In accordance with
GB/T1804-2000(ISO2768-1)-m and
GB/T1184-1996(ISO 2768-2)-m

其它事项
图示尺寸单位为mm
未注机加工表面粗糙度为Ra=3.2
未注角度公差±1°
其它未注公差（除角度外）均按：
GB/T1804-2000(ISO2768-1)-M和
GB/T1184-1996(ISO 2768-2)-m

[REDACTED]			
PART NO 零件名	6410-6-4PT-L		
SCALE NTS	APPD: 批准: Zhangjian	DRN 制图: KEVIN	DATE 日期: 2016.01.07
	DATE 日期: 17/01/16	CHK 审核: YB. ZHAN	DATE 日期: 2016.01.07

MATERIAL	Chinese steel 45	材质: 45#
FINISH	Remove all sharp edges ,burrs ,Slivers and swarf, break all edges 0.127-0.254mm. Zinc Plated With 12um Microns Minimum plating thickness and trivalent chromate passivation and withstand 96 HRS to white/144 HS to red rust in salt spray test.	去除所有毛刺, 铁屑等残留物, 锐边倒钝0.127-0.254mm 镀锌, 三价铬钝化, 银白色, 盐雾试验96小时无白斑, 144小时无红锈, 镀锌层厚度大于12um.